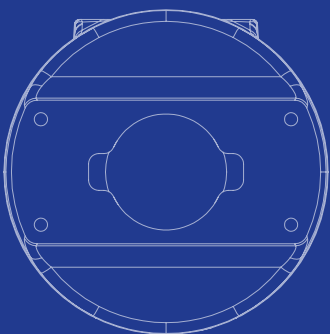




ARMENDUS

SUPPORT ARM & ENCLOSURE SYSTEMS

SUPPORT ARM
AND ENCLOSURE
SYSTEMS



ABOUT ARMENDUS

Armendus with its years of expertise and professional team designed a variety of Support Arms Systems and Control Panels distinguished by their modern structure, durability, safe and easy usage. All of these are placing Armendus ahead of its competitors in the market.

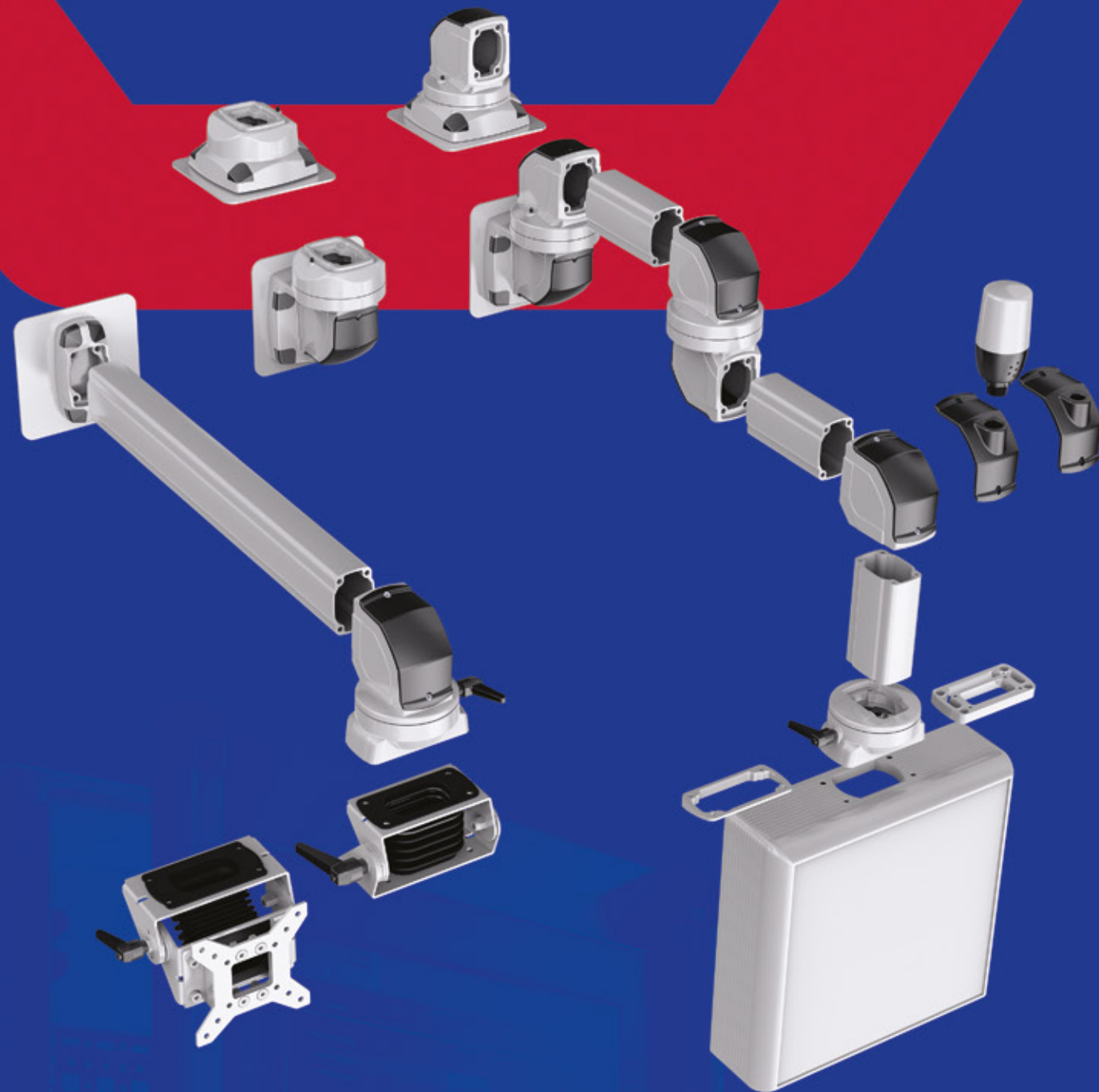
Armendus Team monitors the production thoroughly from the raw material stage to the final stage. In collaboration with certified laboratories, we implement certain tests and analyzes before putting any product into service. These tests and analysis ensure that our products are in conformity with international standards. All of these steps are applied in order to provide 100% reliable and trusted products to Armendus customers.

Armendus proudly guarantee the quality and the attention given for its whole range of products with Brand Registration Certificate, Utility Model Certificate, Design Registration Certificate, CE and IP Certificates.

5
YEARS
WARRANTY

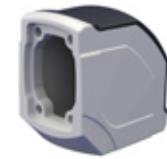
ISO **CE**
9001:2015

Al **6000**
aluminium **QUALITY**

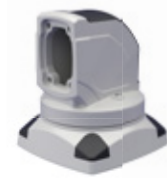




ARM050.025
Support Arm Profile
Color No: 7035



ARM050.420
90° Angle Piece
Color No: 7035



ARM050.600
Rotatable Top Mounted
90° Angle Joint
Color No: 7035



ARM050.700
Rotatable Wall-Mounted Hinge
Horizontal Outlet
Color No: 7035



ARM050.800
Wall-Socket
Mounting Bracket
Color No: 7035



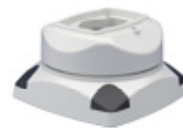
ARM050.810
Warning Lamp Cover (M22)
Color No: 7035



ARM050.400
Rotatable Panel 90° Angle Coupling
Color No: 7035



ARM050.500
Rotatable Intermediate Hinge
Color No: 7035



ARM050.610
Rotatable Top Mounted Vertical
Outlet
Color No: 7035



ARM050.710
Rotatable Wall-Mounted Hinge
Vertical Outlet
Color No: 7035



ARM050.830
Rotatable Panel Adaptor Vertical
Color No: 7035



ARM050.811
Warning Lamp Cover (M18)
Color No: 7035



ARM080.025
Support Arm Profile
Color No: 7035



ARM080.320
Rotatable Panel Coupling
Color No: 7035



ARM080.420
90° Angle Piece
Color No: 7035



ARM080.505
Steel Interconnection
Module - With Bellows
Color No: 7035



ARM080.610
Rotatable Top Mounted Vertical
Outlet
Color No: 7035



ARM080.705
Steel Wall Mounted
Module - With Bellows
Color No: 7035



ARM080.800
Wall-Socket Mounting Bracket
Color No: 7035



ARM080.310
Panel Coupling
Color No: 7035



ARM080.400
Rotatable Panel 90° Angle Coupling
Color No: 7035



ARM080.500
Rotatable Intermediate Hinge
Color No: 7035



ARM080.600
Rotatable Top Mounted
90° Angle Joint
Color No: 7035



ARM080.700
Rotatable Wall-Mounted Hinge
Horizontal Outlet
Color No: 7035



ARM080.710
Rotatable Wall-Mounted Hinge
Vertical Outlet
Color No: 7035



ARM080.810
Warning LampCover (M22)
Color No: 7035



ARM080.820
080/050 Support Arm Adaptor
Color No: 7035



ARM080.826
Ø48 Adaptor
Color No: 7035



ARM080.830
Rotatable Panel Adaptor Vertical
Color No: 7035



ARM080.834
Ø130 mm 10° Panel Adaptor
Color No: 7035



ARM080.836
Vesa Panel Tilting Adaptor
Color No: 7035



ARM080.811
Warning LampCover (M18)
Color No: 7035



ARM080.825
080/Ø48 Adaptor
Color No: 7035



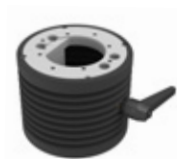
ARM080.827
Ø48 Pipe Profile
Color No: 7035



ARM080.833
Ø130 mm Panel Adaptor
Color No: 7035



ARM080.835
Panel Tilting Adaptor
Color No: 7035



ARM080.840
Ø130 mm Panel Tilting Adaptor - With Bellows
Color No: 7035



ARM130.025
Support Arm Profile
Color No: 7035



ARM130.320
Rotatable Panel Coupling
Color No: 7035



ARM130.420
90° Angle Piece
Color No: 7035



ARM130.505
Steel Interconnection Module - With Bellows
Color No: 7035



ARM130.610
Rotatable Top Mounted Vertical Outlet
Color No: 7035



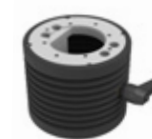
ARM130.705
Steel Wall Mounted Module - With Bellows
Color No: 7035



ARM130.800
Wall-socket Mounting Bracket
Color No: 7035



ARM130.811
Warning LampCover (M18)
Color No: 7035



ARM130.840
Ø130 mm Panel Tilting Adaptor - With Bellows
Color No: 7035



ARM130.310
Panel Coupling
Color No: 7035



ARM130.400
Rotatable Panel 90° Angle Coupling
Color No: 7035



ARM130.500
Rotatable Intermediate Hinge
Color No: 7035



ARM130.600
Rotatable Top Mounted 90° Angle Joint
Color No: 7035



ARM130.700
Rotatable Wall-mounted Hinge Horizontal Outlet
Color No: 7035



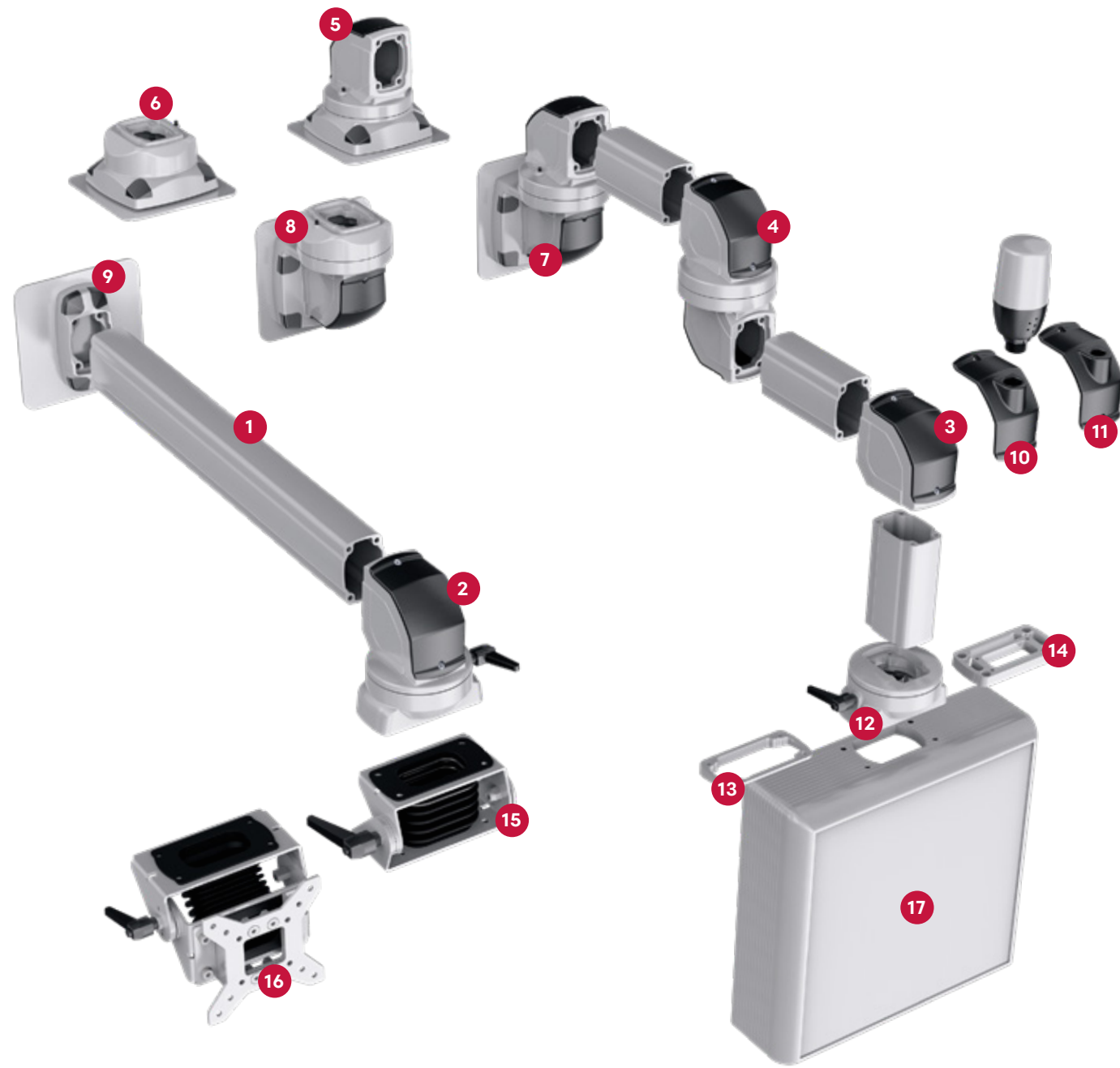
ARM130.710
Rotatable Wall-mounted Hinge Vertical Outlet
Color No: 7035



ARM130.810
Warning LampCover (M22)
Color No: 7035



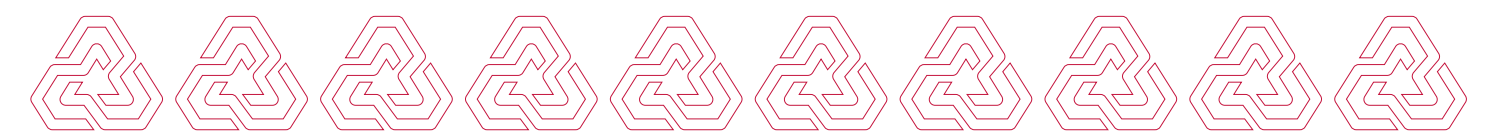
ARM130.820
080/050 Support Arm Adaptor
Color No: 7035

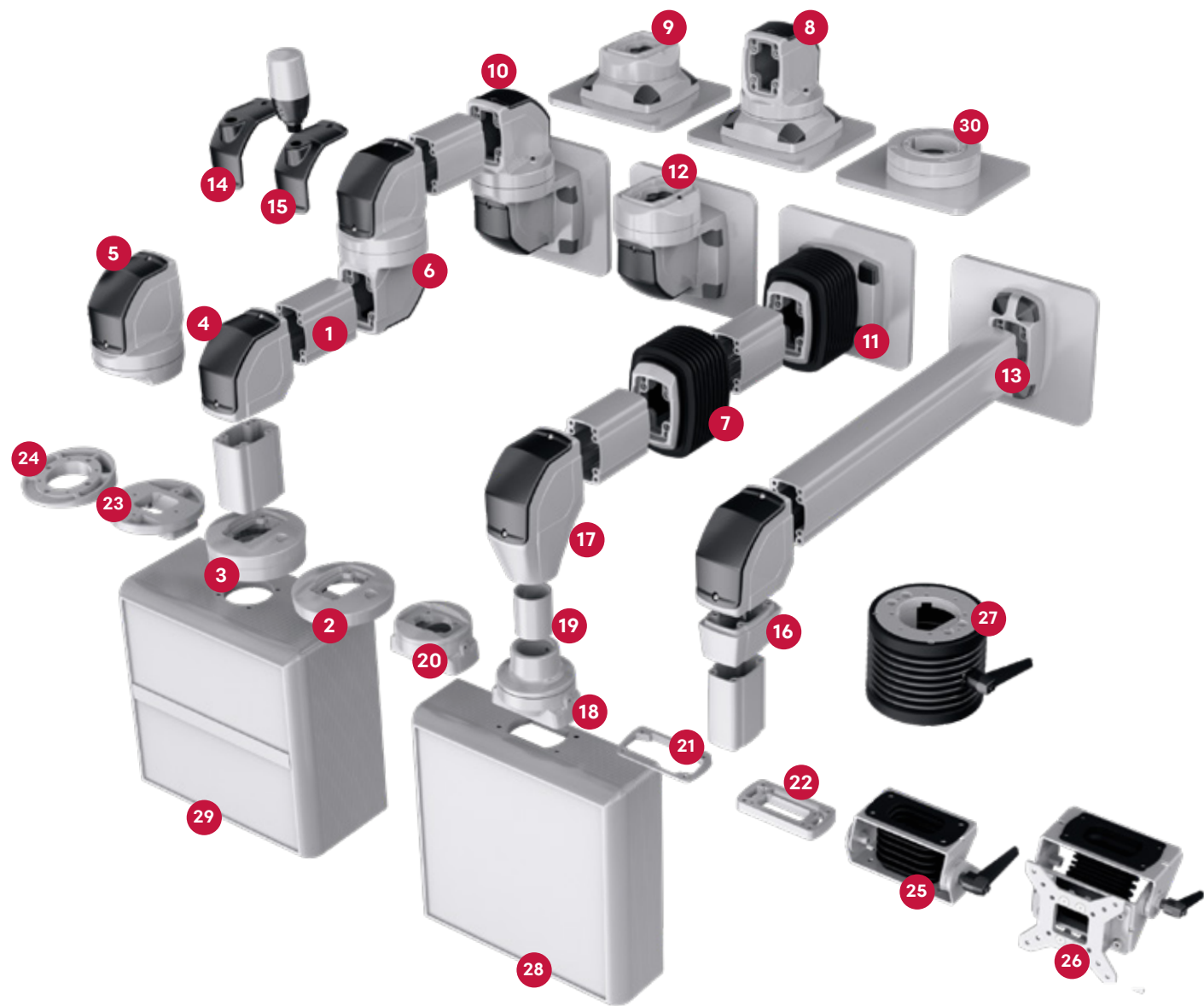


- 1 **ARM050 PROFILE** Support Arm Profile
- 2 **ARM050.400** Rotatable Panel 90°Angle Coupling
- 3 **ARM050.420** 90° Angle Piece
- 4 **ARM050.500** Rotatable Intermediate Hinge
- 5 **ARM050.600** Rotatable Top Mounted 90° Angle Joint
- 6 **ARM050.610** Rotatable Top Mounted Vertical Outlet
- 7 **ARM050.700** Rotatable Wall-Mounted Hinge Horizontal Outlet
- 8 **ARM050.710** Rotatable Wall-Mounted Hinge Vertical Outlet
- 9 **ARM050.800** Wall-Socket Mounting Bracket
- 10 **ARM050.810** Warning Lamp Cover (M22)
- 11 **ARM050.811** Warning Lamp Cover (M18)
- 12 **ARM050.830** Rotatable Panel Adaptor Vertical
- 13 **ARM080.831** 10° Angle Piece
- 14 **ARM080.832** 080 Adaptor
- 15 **ARM080.834** Panel Tilting Adaptor
- 16 **ARM080.835** Vesa Panel Tilting Adaptor
- 17 **PRO090 PANEL** PRO090 Enclosure Panel

SUPPORT ARM SYSTEMS

ARM050

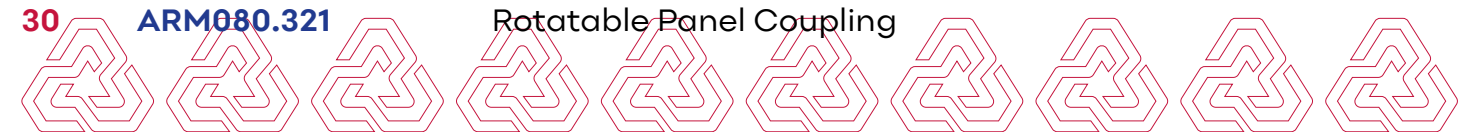




- | | | |
|-----------|-----------------------|--|
| 1 | ARM080 PROFILE | Support Arm Profile |
| 2 | ARM080.310 | Panel Coupling |
| 3 | ARM080.320 | Rotatable Panel Coupling |
| 4 | ARM080.400 | Rotatable Panel 90° Angle Coupling |
| 5 | ARM080.420 | 90° Angle Piece |
| 6 | ARM080.500 | Rotatable Intermediate Hinge |
| 7 | ARM080.505 | Steel Interconnection Module - With Bellows |
| 8 | ARM080.600 | Rotatable Top Mounted 90° Angle Joint |
| 9 | ARM080.610 | Rotatable Top Mounted Vertical Outlet |
| 10 | ARM080.700 | Rotatable Wall-Mounted Hinge Horizontal Outlet |
| 11 | ARM080.705 | Steel Wall Mounted Module - With Bellows |
| 12 | ARM080.710 | Rotatable Wall-Mounted Hinge Vertical Outlet |
| 13 | ARM080.800 | Wall-Socket Mounting Bracket |
| 14 | ARM080.810 | Warning Lamp Cover (M22) |
| 15 | ARM080.811 | Warning Lamp Cover (M18) |
| 16 | ARM130.820 | 130/080 Support Arm Adaptor |
| 17 | ARM080.825 | 080/Ø48 Adaptor |
| 18 | ARM080.826 | Ø48 Adaptor |
| 19 | ARM080.827 | Ø48 Pipe Profile |
| 20 | ARM080.830 | Rotatable Panel Adaptor Vertical |
| 21 | ARM080.831 | 10° Angle Piece |
| 22 | ARM080.832 | 080 Panel Adaptor |
| 23 | ARM080.833 | Ø130 mm Panel Adaptor |
| 24 | ARM080.834 | Ø130 mm 10° Panel Adaptor |
| 25 | ARM080.835 | Panel Tilting Adaptor |
| 26 | ARM080.836 | Vesa Panel Tilting Adaptor |
| 27 | ARM080.840 | Ø130 mm Panel Tilting Adaptor - With Bellows |
| 28 | PRO060 PANEL | PRO060 Enclosure Panel |
| 29 | PRO130 PANEL | PRO130 Enclosure Panel |
| 30 | ARM080.321 | Rotatable Panel Coupling |

SUPPORT ARM SYSTEMS

ARM080

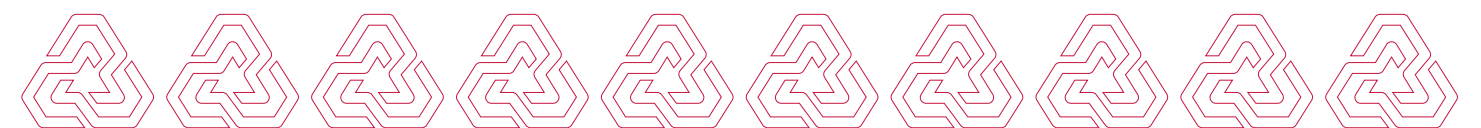




- | | | |
|-----------|-----------------------|--|
| 1 | ARM130 PROFILE | Support Arm Profile |
| 2 | ARM130.310 | Panel Coupling |
| 3 | ARM130.320 | Rotatable Panel Coupling |
| 4 | ARM130.400 | Rotatable Panel 90° Angle Coupling |
| 5 | ARM130.420 | 90° Angle Piece |
| 6 | ARM130.500 | Rotatable Intermediate Hinge |
| 7 | ARM130.505 | Steel Interconnection Module - With Bellows |
| 8 | ARM130.600 | Rotatable Top Mounted 90° Angle Joint |
| 9 | ARM130.610 | Rotatable Top Mounted Vertical Outlet |
| 10 | ARM130.700 | Rotatable Wall-Mounted Hinge Horizontal Outlet |
| 11 | ARM130.705 | Steel Wall Mounted Module - With Bellows |
| 12 | ARM130.710 | Rotatable Wall-Mounted Hinge Vertical Outlet |
| 13 | ARM130.800 | Wall-Socket Mounting Bracket |
| 14 | ARM130.810 | Warning Lamp Cover (M22) |
| 15 | ARM130.811 | Warning Lamp Cover (M18) |
| 16 | ARM130.820 | 130/080 Support Arm Adaptor |
| 17 | ARM130.840 | Ø130 mm Panel Tilting Adaptor - With Bellows |
| 18 | ARM080 PROFILE | Support Arm Profile |
| 19 | ARM080.320 | Rotatable Panel Coupling |
| 20 | PRO150 PANEL | PRO150 Enclosure Panel |

SUPPORT ARM SYSTEMS

ARM130





PRO 060
 PRO 090
 PRO 120
 PRO 150
 PRO X90

With its technical features, our enclosure panels hold and protect the industrial controllers, PCs and operating panels. The width and height of the needed panels can be freely selected from a wide range of modules provided by us. We use an ergonomic handle for the enclosure which provides the operator a smooth rotation to the position desired. Our panel systems work in integration with our arm systems perfectly which increases the safety and durability of the systems they control. Our enclosures have a modern design which gives the machine an attractive modern and dynamic look.



PRO ENCLOSURE PANEL

Kiosk Plate

ARKS80 Series



	ARKS80.01	ARKS80.04	ARKS80.03
Weight (kg)	16,5	16,5	16,5
Color No	7035	7035	7035
Package	1	1	1
Package Dimension (mm)	510x110x610	510x110x610	510x110x610
Movement	Fixed	Modular	Fixed

Kiosk Plate

ARKS130 Series



	ARKS130.01	ARKS130.04	ARKS130.03
Weight (kg)	16,5	16,5	16,5
Color No	7035	7035	7035
Package	1	1	1
Package Dimension (mm)	510x110x610	510x110x610	510x110x610
Movement	Fixed	Modular	Fixed

Kiosk Systems

ARKH80 Series



	ARKH.080	ARKH.130
Weight (kg)	12	12
Color No	7035/7016	7035/7016
Package	1	1
Package Dimension (mm)	355x95x705	355x95x705
Movement	Modular	Modular

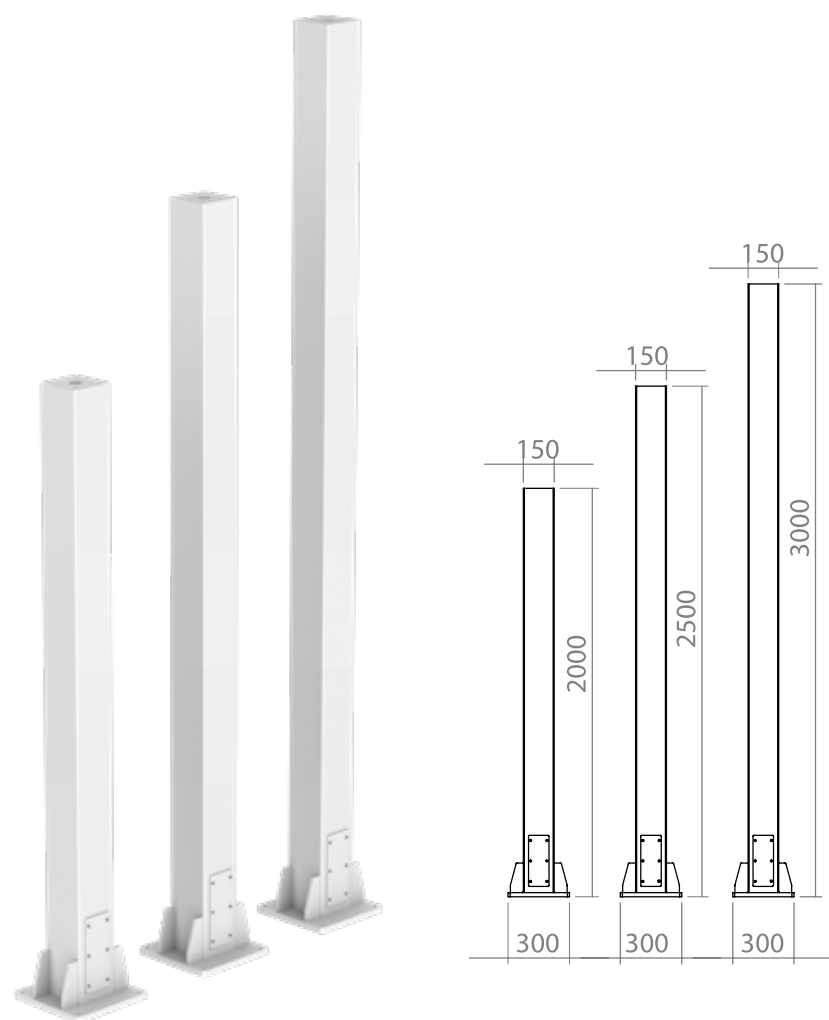
Kiosk Enclosure Systems

ARKPC Series



	ARKPC.01	ARKPC.02
Weight (kg)	100	12
Color No	7035/7016	7035/7016
Package	1	1
Movement	Modular	Modular

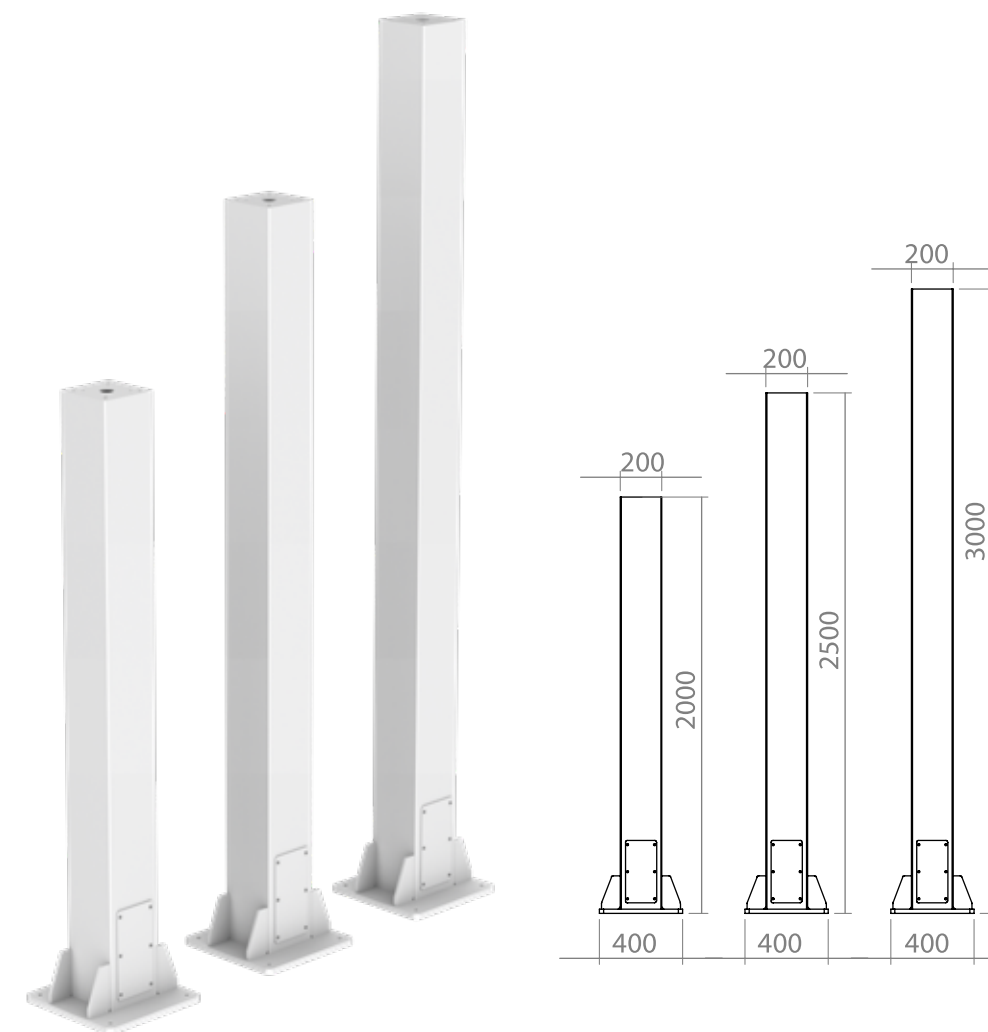
Coupling Towers KL150 Series



We use an ergonomic coupling tower which provides a strong support for your application. Towers hold and protect the industrial controllers, PCs and operating panels and offers a secure accommodation for all connected cables. We have many tower dimensions and the RAL 7035 is the standard color used.

Tower Dimensions:
150x150 (LxW) and 2.0, 2.5, or 3.0 mt Height
200x200 (LxW) and 2.0, 2.5, or 3.0 mt Height

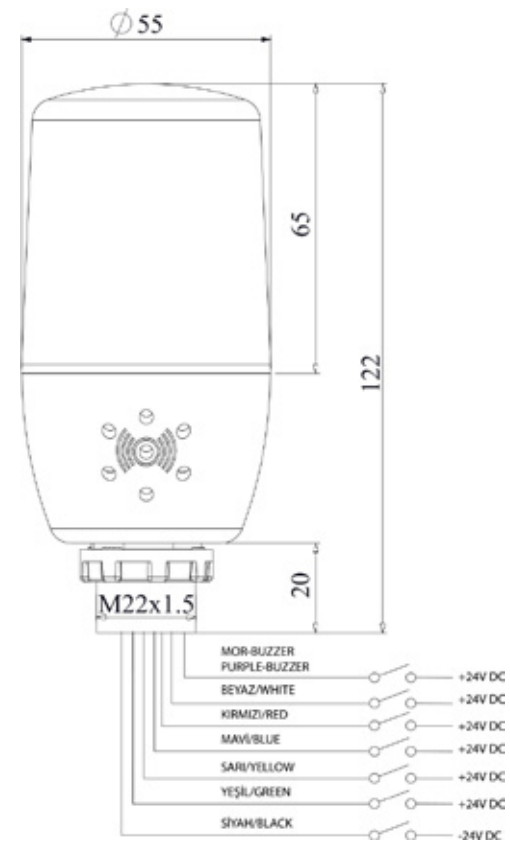
Coupling Towers KL200 Series



	KL150.200	KL150.250	KL150.300	KL200.200	KL200.250	KL200.300
Weight (kg)	45	55	65	70	80	100
Length (mm)	2000	2500	3000	2000	2500	3000
Color No	7035	7035	7035	7035	7035	7035
Package	1	1	1	1	1	1
Package Dimension (mm)	320x320x2020	320x320x2520	320x320x3020	420x420x2020	420x420x2520	420x420x3020
Movement	Fixed	Fixed	Fixed	Fixed	Fixed	Fixed

Warning Lamps

ARTB.01



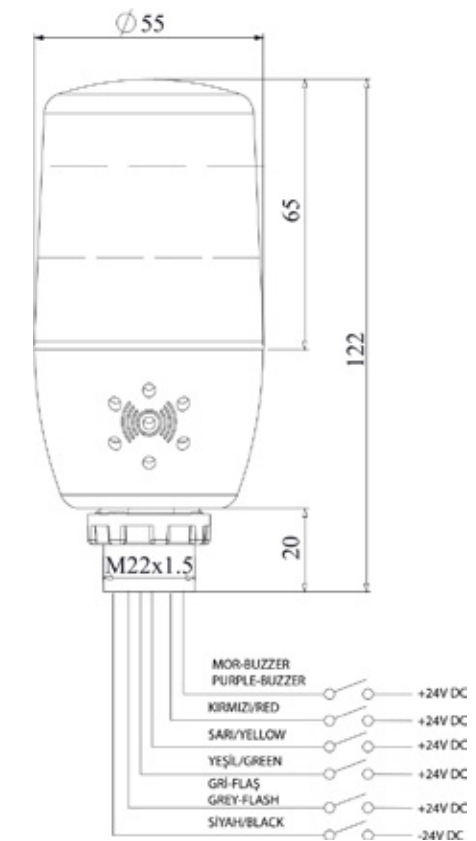
LED Signal Lights are used as a fast-warning indication for the operator of a malfunction or any issue related to the machine. Our LED lights are compatible with our support arm series. Features include multicolored lights in one level with 5 color options, Ø22 mm opening for electrical connection, LED and flasher options.

- 22 mm coupling nut
- LED or Flasher LED option (on the same block)
- 90 dB buzzer
- 24V dc
- One block with color options



Warning Lamps

ARTB.02



LED Signal Lights are used as a fast-warning indication for the operator of a malfunction or any issue related to the machine. Our LED lights are compatible with our support arm series. Features include multicolored lights in three level with 3 color options, Ø22 mm opening for electrical connection, LED and flasher options.

- 22 mm coupling nut
- LED or Flasher LED option (on the same block)
- 90 dB buzzer
- 24V dc
- 3 level, 3 color options





www.armendus.com